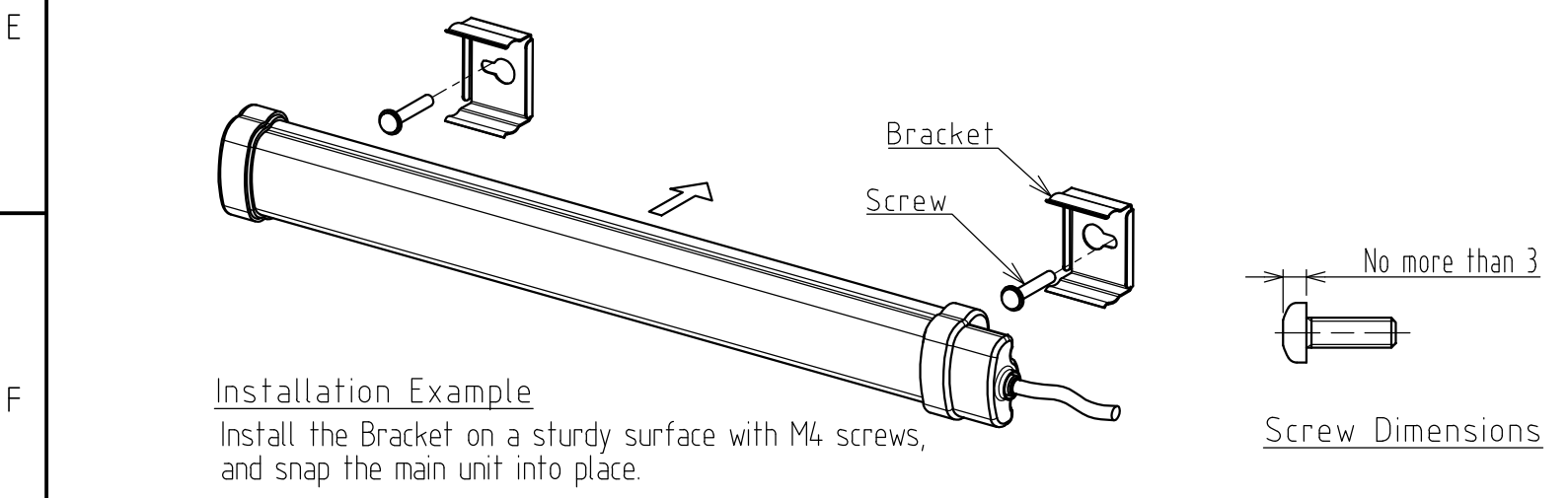
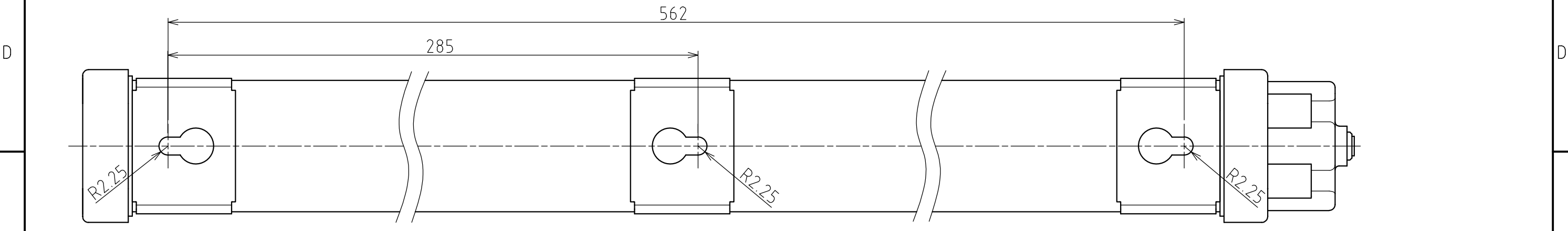
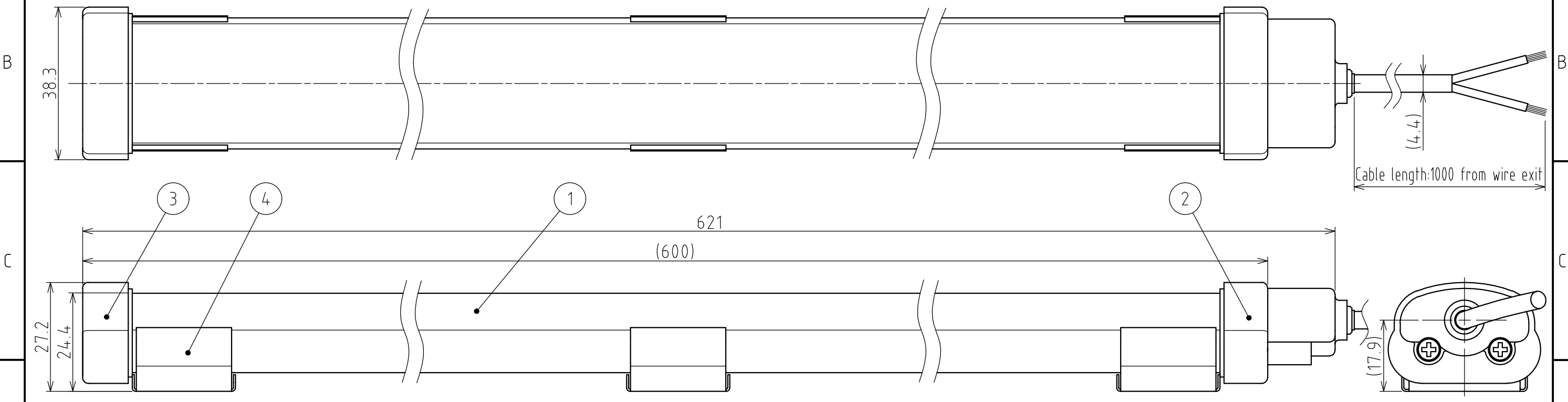


Drawing No.	Rev.	Page
CWA6S-24-CD-W18	F	1 / 2

<h1>SPECIFICATIONS</h1>
-------------------------

[General Specifications]

Model	CWA6S-24-CD	
Color Code	CD	
Luminous Color	Daylight	
Color Temperature (typ.)	6500 K	
Illuminance (at 24V DC, 1m)	220lx	
Total Luminous Flux (at 24V DC)	770lm	
Rated Voltage	24V DC (Polarized)	
Operating Voltage Range	Rated Voltage $\pm$ 10%	
Signal Wire Current (Rated Current Consumption)	Typ.	360mA
	Max.	396mA
Operating Ambient Temperature	-30 °C to +60 °C	
Operating Ambient Humidity	Less than 90% (No condensation)	
Storage Ambient Temperature	-35 °C to +65 °C	
Storage Ambient Humidity	Less than 90% (No condensation)	
Mounting Direction	All Directions	
Protection Rating	IP65 (IEC 60529) (Cable connection ends not included)	
Vibration Resistance	19.6 m/s <sup>2</sup> (30Hz, Back and Forth, Up and Down, Left and Right for 2 hrs. each)	
Mass	370 $\pm$ 15g	
Outer Dimensions	Refer to the Outer Dimension Drawing	
Conformity Standards	EMC Directive (EN IEC 55015, EN 61000-6-2) RoHS Directive (EN IEC 63000) UL Listed (File No.E306141)	
Remarks	· Due to the inherent properties of the LED, color variations and hue may occur.	



4	Bracket	3	SUS
3	End Cap B	1	PC(White)
2	End Cap A	1	PC(White)
1	Cover	1	PC(Clear)
番号 No.	部品名 Part Name	数量 Qty.	記事 Remarks
機種 Model	CWA6S-24-CD	特注No. S.P.No.	-
品目コード Part No.	-	図名 Name	Outer Dimensions Drawing
		尺度 Scale	三角法 3rd Angle P.
		単位 Unit	mm
			株式会社 PATLITE Corporation