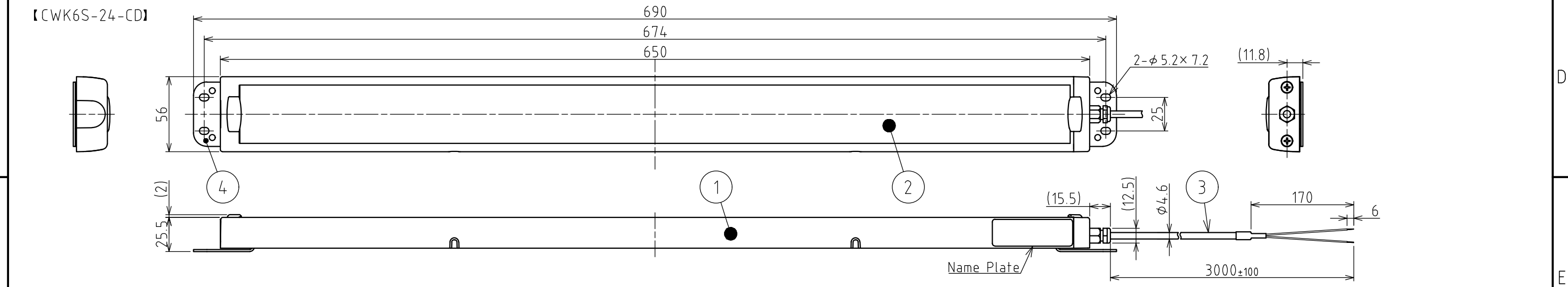
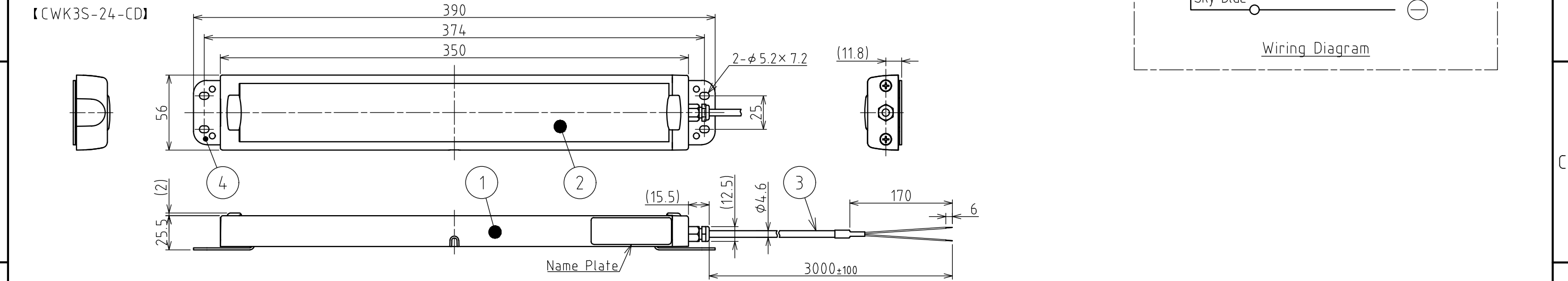
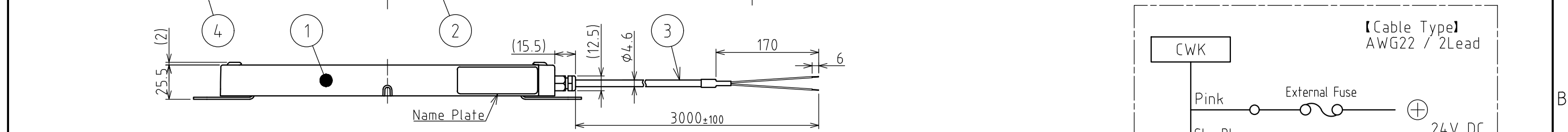


Drawing No.	Rev.	Page
CWK3S-24-W18	B	1 / 2

# SPECIFICATIONS

[General Specifications]

Product Name	LED Work Light		
Model	CWK2S-24-CD	CWK3S-24-CD	CWK6S-24-CD
Color Code	CD		
Luminous Color	Daylight		
Color Temperature (typ.)	6500 K		
Illuminance (typ.) (Center , at 24V DC)	1.0m 600 lx	850 lx	1500 lx
Total Luminous Flux (typ.)	800 lm	1200 lm	2400 lm
Rated Voltage	24V DC (Polarized)		
Operating Voltage Range	24V DC $\pm 10\%$		
Rated Current Consumption	360mA $\pm 10\%$	480mA $\pm 10\%$	960mA $\pm 10\%$
Rated Power Consumption	8.64W	11.52W	23.04W
Operating Ambient Temperature	-10°C ~ +50°C		
Operating Ambient Humidity	90% RH or less (No condensation)		
Main Unit Material	Body : Aluminum Alloy , Lens : Tempered Glass		
Mounting Location	Indoor		
Mounting Direction	All Directions		
Protection Rating	IP66G/67G (JIS C0920)		
Environmental Condition	Cable Connector not included		
Vibration Resistance	30Hz 20 m/s <sup>2</sup> Back and Forth, Up and Down, Left and Right for 2hrs. Each		
Insulation Resistance	500V DC 5M $\Omega$ or more		
Withstand Voltage	500V AC for 1 minute (between terminals and chassis)		
Mass (Tolerance $\pm 10\%$ )	600g	750g	1230g
Outer Dimensions	Refer to Outer Dimension Drawing		
Conformity Standards	Conforms to the CE requirements:EN IEC 55015, EN 61000-6-2 RoHS Directive(DIRECTIVE 2011/65/EU) UL Listed (File No.E306141)		
Remarks	<p>• Model Number Configuration</p> <p style="text-align: center;">CWK <span style="border: 1px solid black; padding: 0 2px;"> </span> S - 24 - CD</p> <p style="margin-left: 40px;">↑</p> <p style="margin-left: 100px;">● Light Unit Length 2 : 200mm 3 : 300mm 6 : 600mm</p> <p>※1 Specifications and dimensions may change without prior notice for improvements, etc.</p> <p>※2 Due to the characteristics of the LED, color temperature, brightness and hue will differ for every LED and every product.</p> <p>※3 This product's illuminance may be affected when used in airtight conditions.</p>		



4	Bracket	2	Stainless
3	Power Cable	1	AWG22 / 2Lead
2	Glass (Lens)	1	Tempered Glass
1	Body	1	Aluminium Alloy
番号 No.	部品名 Part Name	数量 Qty.	記事 Remarks

機種 Model	CWK2S/3S/6S-24-CD	特注No. S.P.No.	-	図名 Name	Outer Dimension Drawing
品目コード Part No.	-	尺度 Scale	1:3	三角法 3rd Angle P.	単位 Unit mm
				株式会社 <b>パトライト</b> PATLITE Corporation	