

Drawing No.	Rev.	Page
LR6-ILWCNW-W18	C	1/2

<h1>SPECIFICATIONS</h1>
-------------------------

[General Specifications]

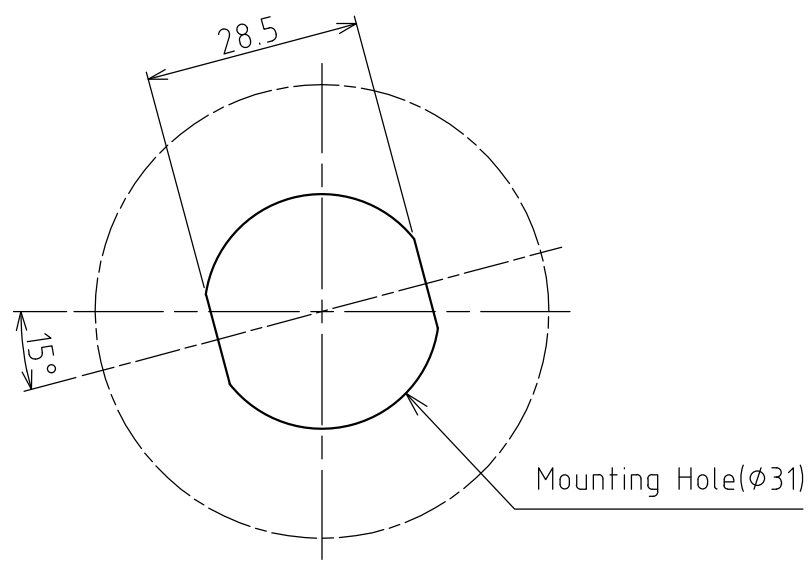
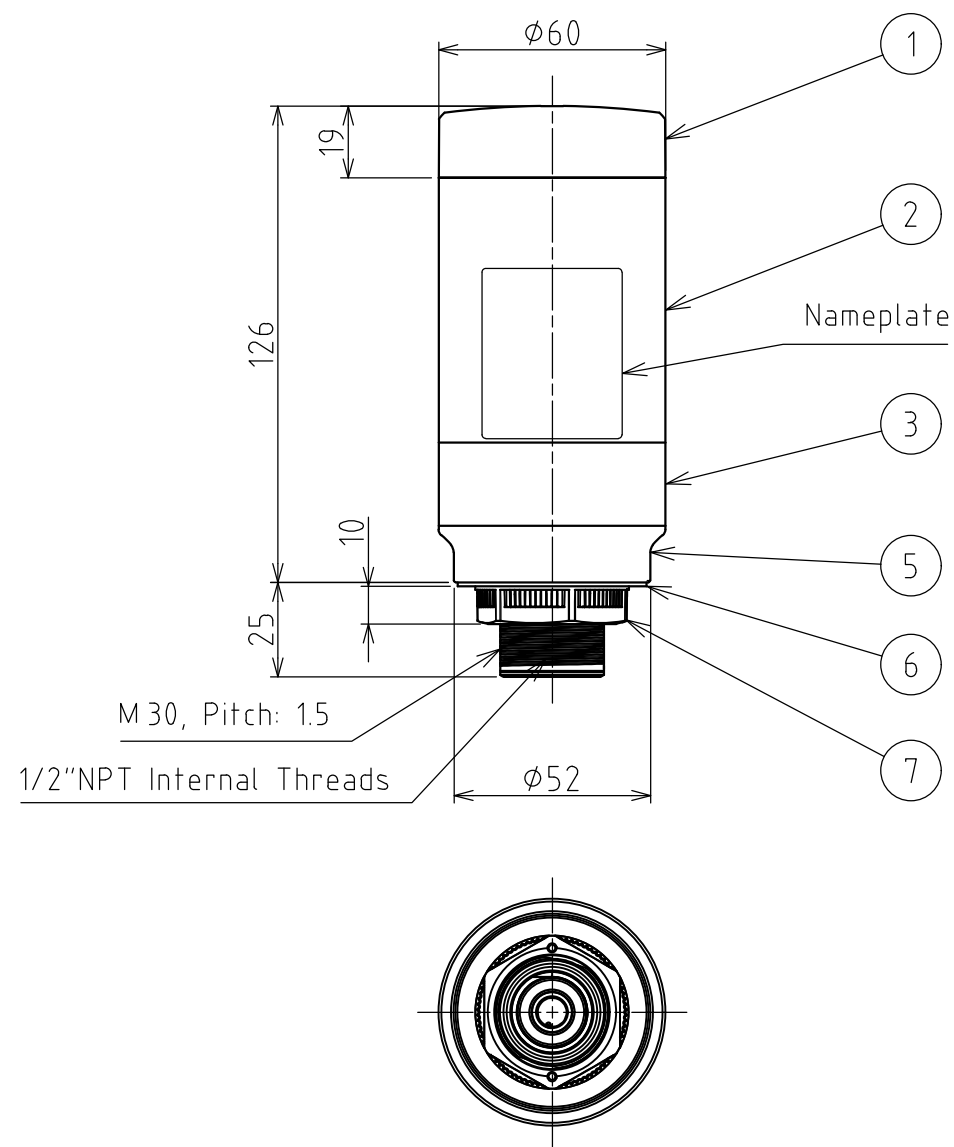
Product Name		IO-Link Signal Tower
Model		LR6-ILWCNW
Rated Voltage		DC24V
Operating Voltage Range		DC18V ~ DC30V
Rated Current Consumption	Typ.	170mA
	Max.	200mA
Rated Power Consumption	Typ.	4W
	Max.	5W
Inrush Current		10A / 0.3msec
Operating Ambient Temperature		-20°C to +50 °C
Operating Ambient Humidity		Less than 90 % (No condensation)
Storage Ambient Temperature		-30°C to +60 °C
Storage Ambient Humidity		Less than 90 % (No condensation)
Mounting Location		Indoor
Mounting Direction		Upright
Protection Rating		IP65, NEMA TYPE 4X, 13
Environmental Condition		Upright
Vibration Resistance		20m/s <sup>2</sup> (JIS C 60068-2-6)
Mass (Tolerance ±10%)		0.16kg
Outer Dimensions		Refer to the Outer Dimension Drawing
Conformity Standards		EMC Directive (EN 61000-6-4, EN 61000-6-2) RoHS Directive (EN IEC 63000) UL 508, CSA-C22.2 No. 14 FCC Part 15 SubpartB Class A KC (KN 61000-6-4, KN 61000-6-2)
Remarks		<ul style="list-style-type: none"> <li>▪ Due to the characteristics of the LED elements, a variation in difference of the color tone and brightness of every product may occur</li> <li>▪ Conforms to the CE Requirements</li> <li>▪ Conforms to the UKCA Requirements</li> </ul>

[IO-Link Specifications]

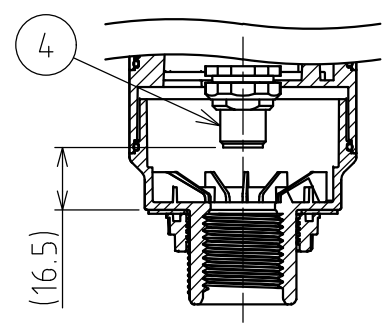
Function		LED control, Buzzer control Operation method switching setting, LED flashing pattern setting, Buzzer intermittent operation setting
Communication specification	IO-Link revision	1.1
	Transmission rate	COM2 (38.4 kbps)
	Minimum cycle time	8 ms
	Process data length	6 byte / 0 byte ( input from master / output to master )
Vendor ID		763
Device ID		80001

指定公差 General Tolerance	角度公差 ±[°]			寸法公差 ±[mm]					図番 Drawing No.		ページ Page	
	短辺長さ Length of short side	~	~100	6	30	120	300	1000	LR6-ILWCNW-W18		2/2	
	精 f	10	50	100	精 f	0.05	0.1	0.2	0.4	0.6	改訂履歴 Revisions	
	中 m	1	0.5	0.3	0.1	中 m	0.1	0.3	0.5	0.7	1	
粗 v	3	1.5	1	0.5	粗 c	0.3	0.5	1	1.2	2	改訂 Rev.	年月日 Date

A  
B  
C  
D  
E  
F

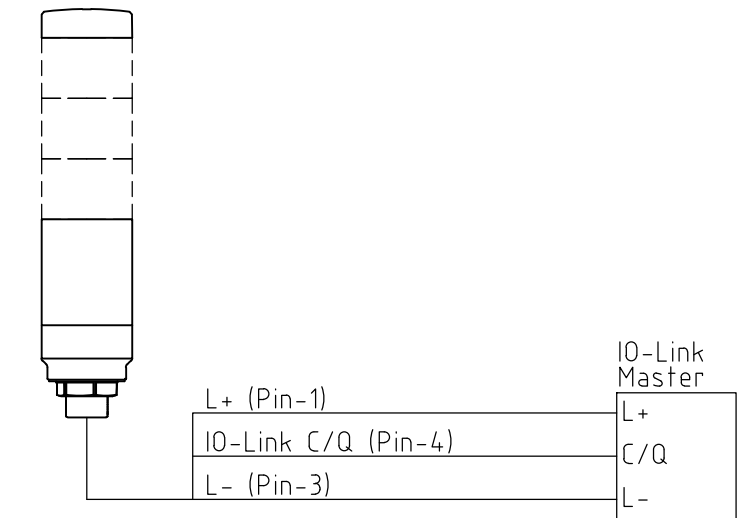


Mounting Dimensional Drawing

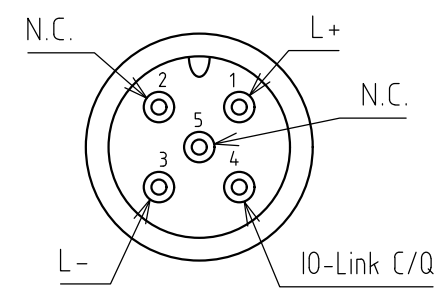


Section View A-A

Wiring Example



M12 Conner Pin Layout



[NOTE]

- 1. M12 Cable is not attached to this product.
- 2. Please use M12 Cable with straight socket.
- 3. Maximum Board Thickness shall be 10 mm.

7	M30 Hexagon Nut	1	PC, Off-white
6	Waterproof sheet	1	Silicone Rubber, Translucent (t=1)
5	Direct Mount Bracket	1	PC, Off-white
4	M12 Connector	1	5pin, NBNi
3	M12 Bracket	1	PC, Off-white
2	Body	1	PC, Off-white
1	Head Cover	1	PC, Off-white
番号 No.	部品名 Part Name	数量 Qty.	記事 Remarks

機種 Model	LR6-ILWCNW	特注No. S.P.No.	-	図名 Name	Outer Dimension Drawing		
品目コード Part No.	-	尺度 Scale	-	三角法 3rd Angle P.	単位 Unit	mm	株式会社 PATLITE Corporation