







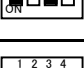
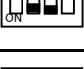

# Specifications

MODEL	RT-24VF-□	RT-100VF-□	RT-200VF-□
Rated Voltage	24V DC	100V AC 50/60Hz	200V AC 50/60Hz
Operating Voltage Range	21~27V DC	90~110V AC	180~240V AC
Power Consumption	24W±25%	32W±20%	30W±20%
Sound Pressure Level	105dB or more Condition for determination: Fit the product on the plate of □300mm, and measure the level with the sound		
Function of Sound Reduction	20dB±2dB (At a 1kHz sine wave and maximum volume)		
Audio Format	MPEG1-Audio Layer III (MP3)		
Standard Bit Rate	Standard bit rate : 64kbit/s , Fs=44.1kHz		
Internal Memory Size	504KByte (Total of MP3 data)		
Interface	SD card Recommendation: SDV-2GP (optional)		
SD Card Format	FAT16		
Method of Signal Input	Bit input:Pulse input/Binary input:Pulse input (Switchable by selection switch)		
Fixing Time of Voice Input Signal	Pulse input width 100ms or more		
Warm-up Time	Signal line start : 300ms or less / Power supply line start : 500ms or less		
Number of Playing Messages	Bit input: 4 Binary input: 15 (Sound reduction mode, Bit input: 3 Binary input: 7)		
Priority Order for the Channel	STOP>CH4>CH3>CH2>CH1 (Only bit input)		
Bulb	24V 20W (G18/BA15S)	12V 15W (G18/BA15S)	12V 15W (G18/BA15S)
Luminous Intensity (No Globe)	7,500cd	10,000cd	10,000cd
Flashing Rate	115±30 Flashes per minute	105±30 Flashes per minute	95±30 Flashes per minute
Operating temperature range	-10°C ~ 50°C		
Operating Ambient Humidity	Less than 85 %RH (No condensation)		
Mounting Location	Indoors and Outdoors		
Mounting Direction	Upright only		
Protection Rating	IP 23 (Upright direction only)		
Insulation Resistance	More than 1MΩ at 500VDC between the terminals and the chassis		
Withstand Voltage	500V AC, for 1minute <small>Between live parts and dead metal parts</small>	1000V AC, for 1minute <small>Between live parts and dead metal parts</small>	1500V AC, for 1minute <small>Between live parts and dead metal parts</small>
Vibration Resistance	19.6m/s <sup>2</sup> (30Hz, Back and force 2h·Right and Left 2h·Up and down 4h)		
Mass (Tolerance ±5%)	2.0kg	2.4kg	
Remarks	<div style="text-align: center; font-size: 2em; font-weight: bold; margin-bottom: 10px;">RT - 100 VF - R</div> <div style="display: flex; justify-content: space-around;"> <div style="text-align: center;"> <p>■ Rated Voltage</p> <p>24 : 24V DC</p> <p>100 : 100V AC</p> <p>200 : 200V AC</p> </div> <div style="text-align: center;"> <p>■ Dome Color</p> <p>R : Red</p> <p>Y : Yellow</p> <p>G : Green</p> <p>B : Blue</p> </div> </div>		

RT-24VF-W18D-1 3

**PATLITE Corporation**

# Specifications

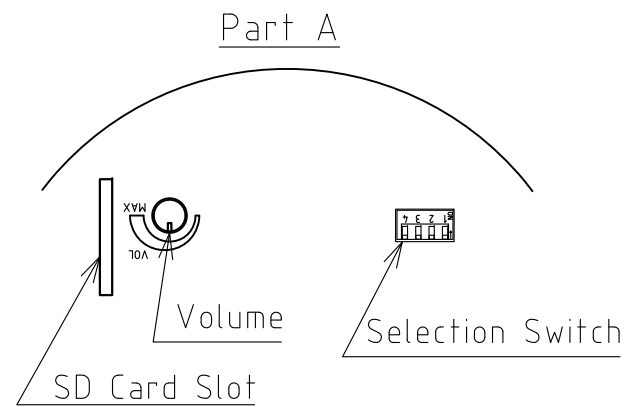
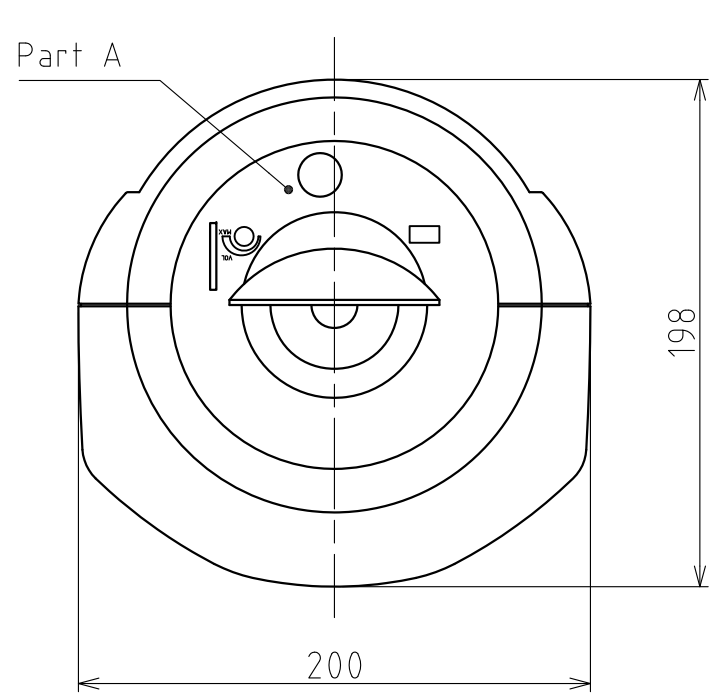
Play mode (Setting with selection switch)		
A		CH input : CH1 - CH4 Number of playing messages : 4
Bit input mode		
B		CH input : CH1 - CH4 Number of playing messages : 15
Binary input mode		
C		CH input : CH1 - CH3 Number of playing messages : 3 CH4 : Input reduces the volume by 20dB.
Bit input・Sound reduction mode		
D		CH input : CH1 - CH3 Number of playing messages : 7 CH4 : Input reduces the volume by 20dB.
Binary input・Sound reduction mode		
E		CH input : CH1 - CH4 Number of playing messages : 4
Bit input・Latest input priority play mode		When the next message is input while message is being play, the message that is being played is stopped and the latest input message is playing.
F		CH input : CH1 - CH4 Number of playing messages : 15
Binary input・Latest input priority play mode		When the next message is input while message is being play, the message that is being played is stopped and the latest input message is playing.
G		CH input : CH1 - CH4 Number of playing messages : 4
Bit input・Hold play mode		Message play is possible only while the input is held. The play stops when the input stops.
H		CH input : CH1 - CH4 Number of playing messages : 15
Binary input・Hold play mode		Message play is possible only while the input is held. The play stops when the input stops.
I		The message No.1 plays. ( Revolving Light doesn't work. )
Test mode		

~Caution on copyright~

If a work that was recorded or copied from music CDs or other media is used at public places, law enforcement for copyright infringement may be imposed. When using a work that was recorded or copied from music CDs or other media, be sure to obtain permission from the author. In addition, the copyright of audio/music data which are distributed or sold by PATLITE Corporation belongs to PATLITE. It is strictly prohibited to copy/reprint the partial or whole contents of audio/music data of PATLITE Corporation or to transfer/sell them on computer networks etc. without the

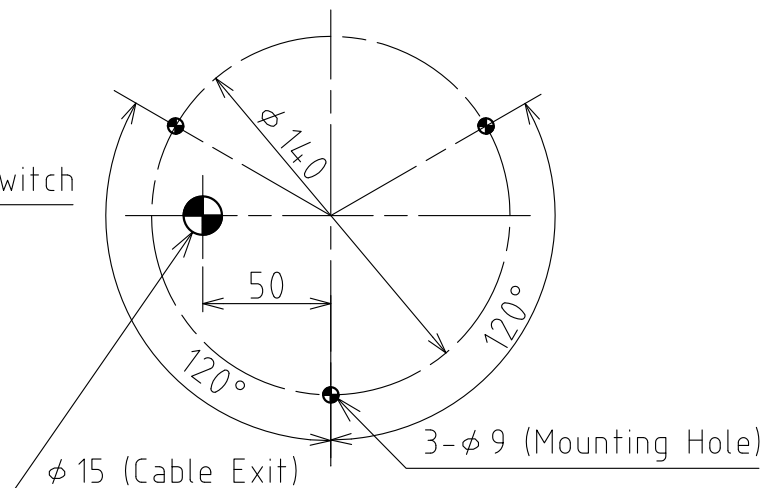
RT-24VF-W18D-2\_3

**PATLITE Corporation**

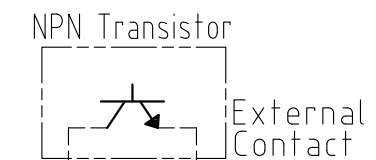


Selection Switch Function Chart

1	
2	Select the play mode from "A" to "H".
3	
4	Test play

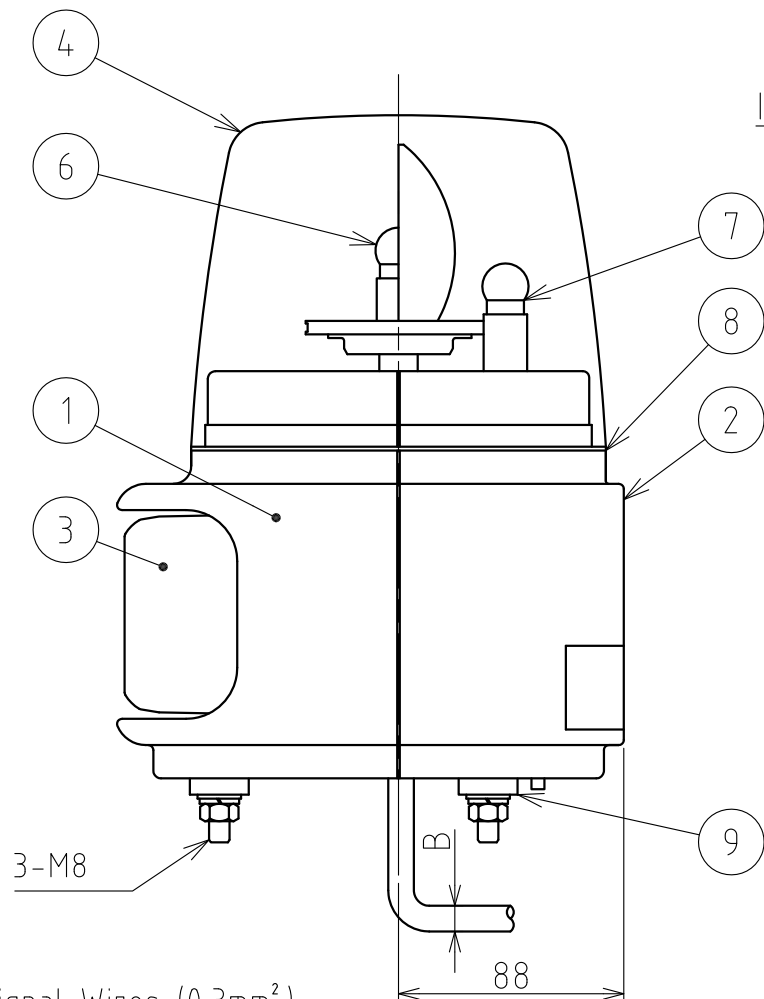
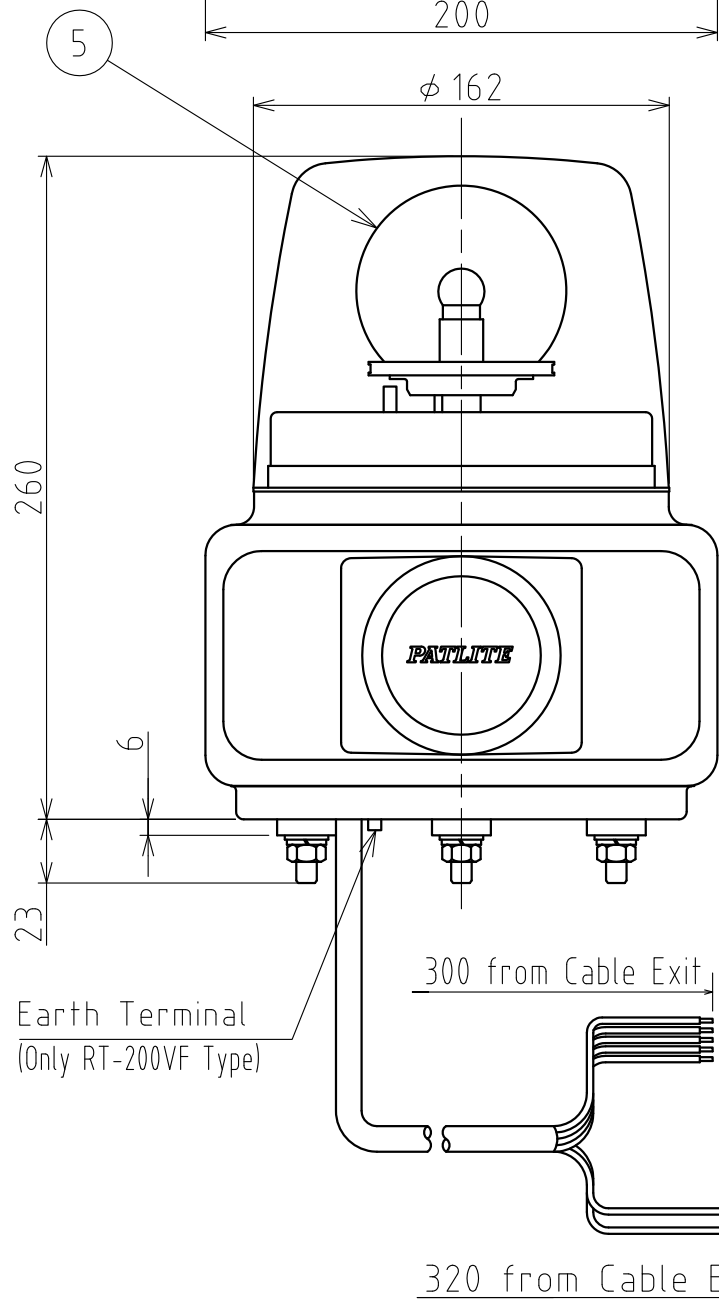


Front Direction Installation Dimensions



(For RT-24VF, Connect the black supply wire to the negative power supply.)

Wiring example



Dimension B

RT-24VF	φ 9
RT-100VF, 200VF	φ 11

9	Cushion rubbers		3	EPDM Black	
8	Gasket		1	EPDM Black	
7	Spare bulb		1	G18/BA15S	
6	Bulb		1	G18/BA15S	
5	Reflector		1	PC	
4	Dome		1	AS	
3	Horn		1	ABS Light gray	
2	Body B		1	ABS Light gray	
1	Body A		1	ABS Light gray	
番号 No.	部品名 Part Name	品目コード Part No.	数量 Qty.	材料 & 寸法 & 処理 Material & Size & Finish	記事 Remarks

外観図面  
Outer Dimension Drawing

株式会社 パトライト  
PATLITE Corporation

RT-24VF-W18D-3\_3