

SPECIFICATIONS

1. General Specifications

Model	SZK-□□	
Applicable Models	List in the website http://www.patlite.com/	
Applicable Pole		
Mounting Location	Refer to mounting location at specifications of installed product	
Protection Rating	IP65(With Product Attached)	
Mass (Tolerance ±10%)	SZK-002□	0.06kg
	SZK-003□	0.07kg
	SZK-004W	0.07kg
Outer Dimensions	Refer to the 3.Outer Dimensions	
Remarks	There are no contents of controlled substances exceeding the threshold for the RoHS	

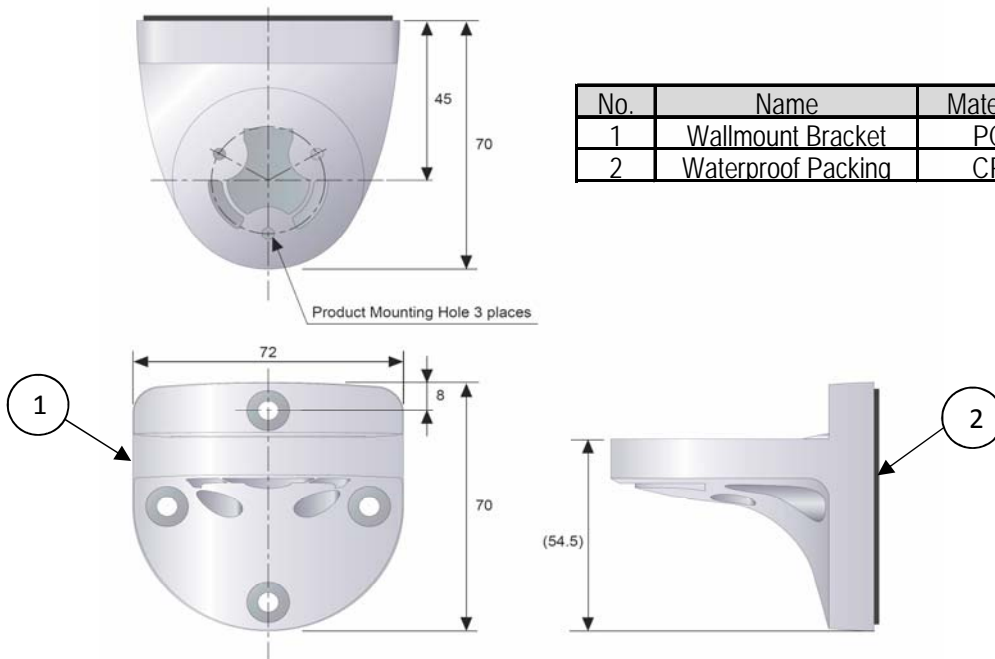
2. Model Number Configuration

Wallmount Bracket	Model	SZK	Applicable Models	Body Color
		-	↓	↓
	Applicable Models			Body Color
	002	LR4-WJ/LR5-WJ•WT		W Off-white
	003	LR6-WJ/LR7-WJ•WT/PWS-TT•TH•RT•RH		K Black (SZK-002•003)
	004	LR6-WJ/LR7-WJ•WT/PWS-TT•TH•RT•RH		U Silver (SZK-002•003)

3. Outer Dimensions

3.1 SZK-002□

(Unit:mm)



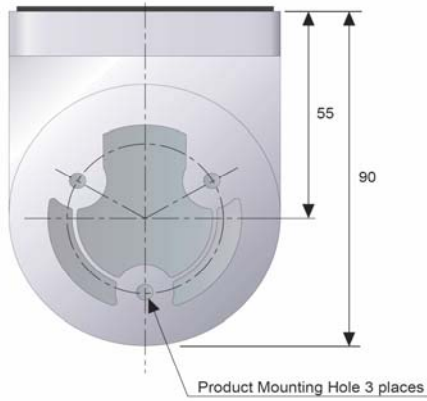
No.	Name	Material	UL Flammability
1	Wallmount Bracket	PC	V-2
2	Waterproof Packing	CR	-

SZK-002-W18C-1_3

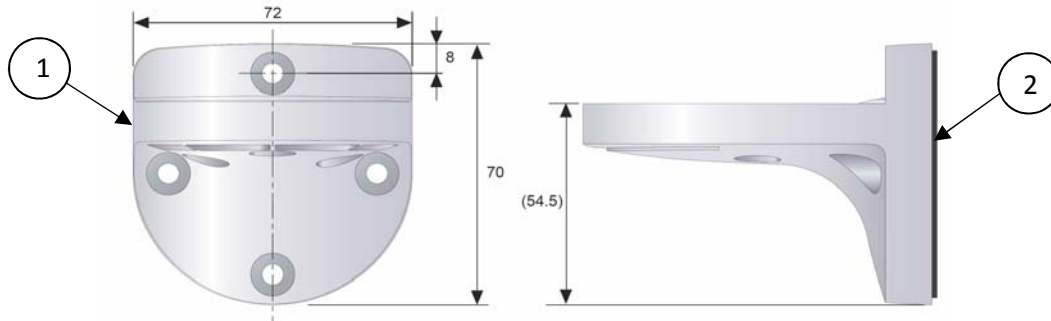
PATLITE Corporation

3.2 SZK-003□

(Unit:mm)

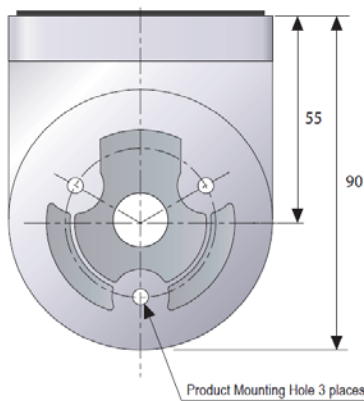


No.	Name	Material	UL Flammability
1	Wallmount Bracket	PC	V-2
2	Waterproof Packing	CR	-

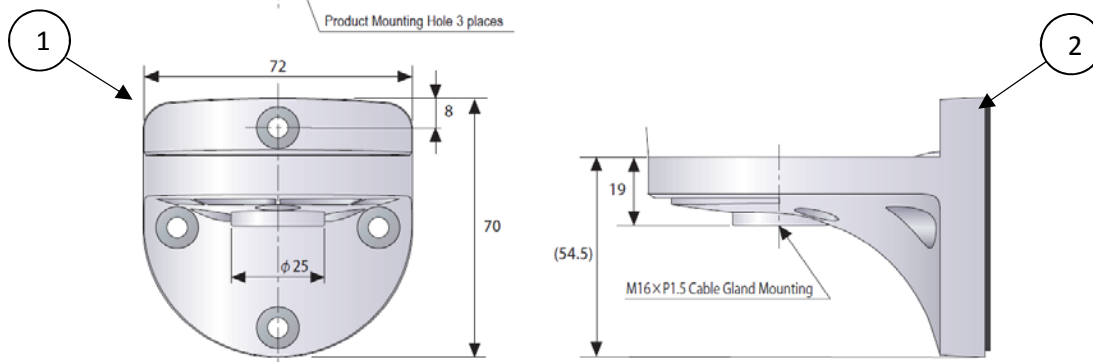


3.3 SZK-004W

(Unit:mm)



No.	Name	Material	UL Flammability
1	Wallmount Bracket	PC	V-2
2	Waterproof Packing	CR	-



4.Mounting Dimensional Drawing

