

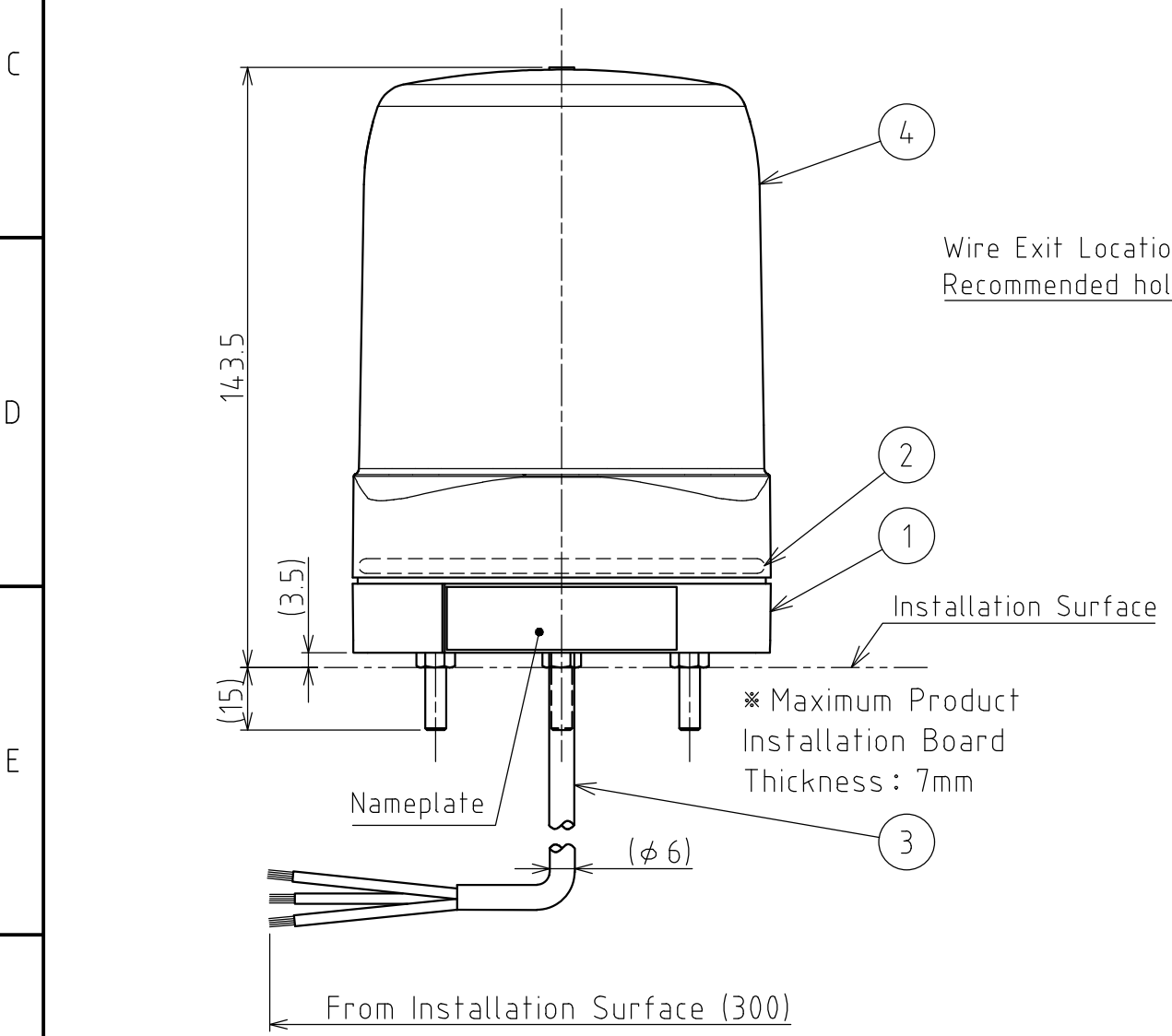
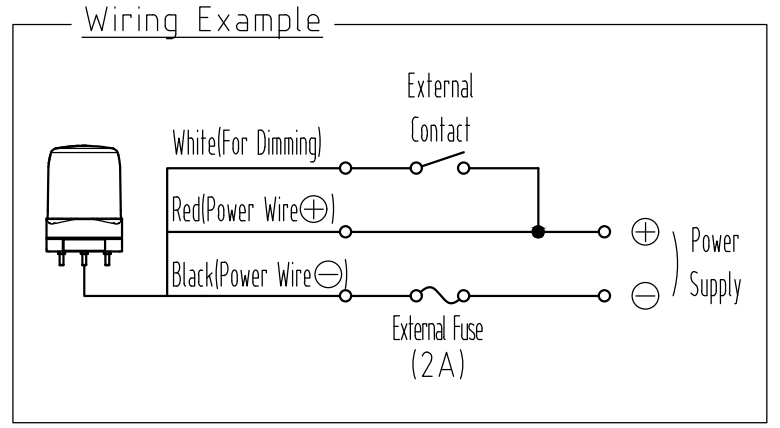
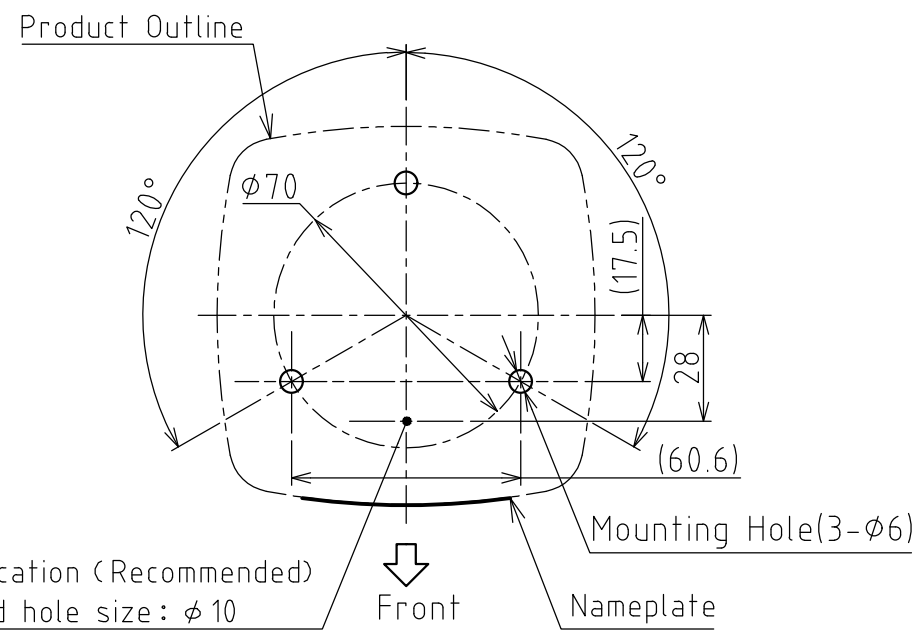
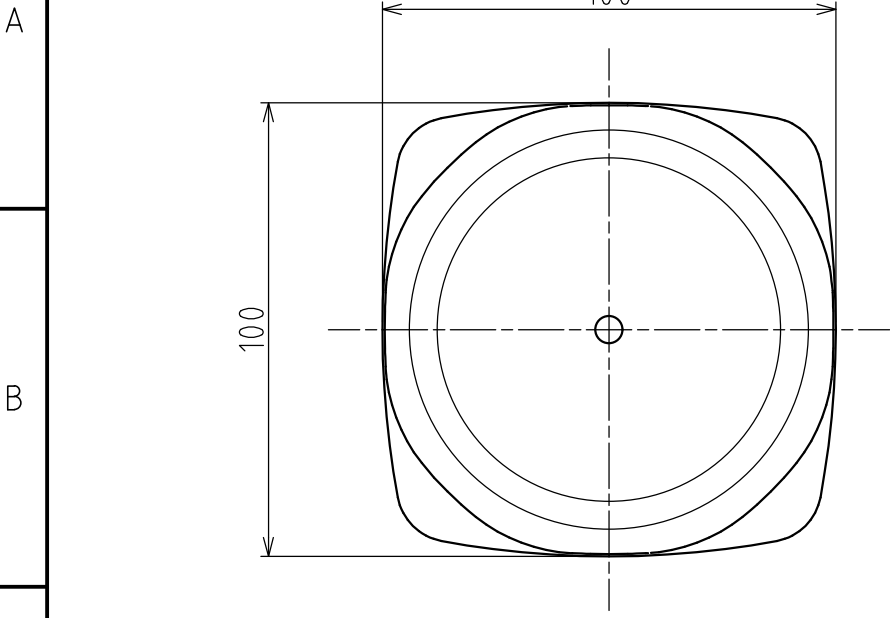
<h1>SPECIFICATIONS</h1>
-------------------------

[General Specifications]

Product Name		Signal Light		
Model		LFH-12S	LFH-24S	LFH-48S
Rated Voltage		12V DC	24V DC	48V DC
Operating Voltage Range		9.5V DC ~ 15V DC	20V DC ~ 30V DC	35V DC ~ 60V DC
Signal Wire Current	Typ.	0.42A	0.19A	0.13A
	Max.	0.50A	0.23A	0.18A
Rated Power Consumption	Typ.	5.0W	4.5W	6.5W
	Max.	6.0W	5.5W	7.5W
Operating Ambient Temperature		-30°C ~ +70°C		
Operating Ambient Humidity		Less than 90% (No condensation)		
Storage Ambient Temperature		-40°C ~ +80°C		
Storage Ambient Humidity		Less than 90% (No condensation)		
Mounting Location		Indoors and Outdoors		
Mounting Direction		Upright ,Inverted and Sideways (In a wet environment, Upright only)		
Protection Rating		IP66 (IEC 60529)		
Environmental Condition		Upright Mounting		
Vibration Resistance		90m/s <sup>2</sup>		
Insulation Resistance		More than 1MΩ at 500V DC between the terminals and the chassis		
Withstand Voltage		The following voltage is applied for 1 min between terminals and chassis without breaking insulation		
		500V AC	1000V AC	
Flashing Rate		140±14 Flashes Per Minute (Triple Flash Pattern)		
Luminous Intensity		Red:112cd or more Amber: 177cd or more Green: 240cd or more Blue: 52cd or more White: 257cd or more		
Mass (Tolerance ±10%)		570g		
Outer Dimensions		Refer to the "Dimensions" Drawing		
Conformity Standards		-		
Remarks		The EMC level is in conformity with a requirements of ECE Regulation No.10 standards.		-
		There are no contents of controlled substances exceeding the threshold for the RoHS Directive.		
		Accessories : Spring Washer (X3) 、 Washer (X3) 、 Nut (X3) 、 Instruction Manual		

指定公差 General Tolerance	角度公差 ±[°] Angular tolerance ±[°]			寸法公差 ±[mm] Dimensional tolerance ±[mm]							
	短辺長さ Length of short side	~ 10	~ 50	~ 100	6	30	120	300	1000		
	精 f	1	0.5	0.3	0.1	中 m	0.1	0.3	0.5	0.7	1
	粗 v	3	1.5	1	0.5	粗 c	0.3	0.5	1	1.2	2

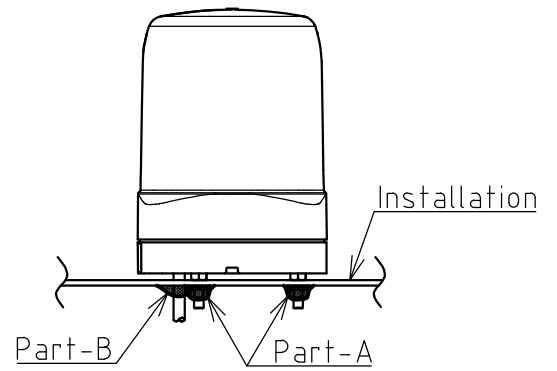
図番 Drawing No	LFH-12S-W18	
改訂 Rev.	年月日 Date	改訂履歴 Revisions



Wire Exit Location (Recommended)  
Recommended hole size: φ 10

Installation Dimensions [1:2]

※ To mount the product in the inverted position, seal the mounting bolt(Part-A) and Wire Exit Hole(Part-B) to insulate from water intrusion.



Sealing Instruction Example

4	Globe	1	PC resin, Red/Amber/Green/Blue/Clear
3	Power Supply Wire	1	UL2517 AWG20×3c
2	O-ring	1	Silcon, gray
1	Body	1	ABS resin, Charcoal gray
番号 No.	部品名 Part Name	数量 Qty.	記事 Remarks

機種 Model	LFH-12S/24S/48S	特注 No. S.P.No.	-	図名 Name	Dimensions
品目コード Part No.	-	尺度 Scale	-	三角法 3rd Angle P.	単位 Unit mm