

SPECIFICATIONS

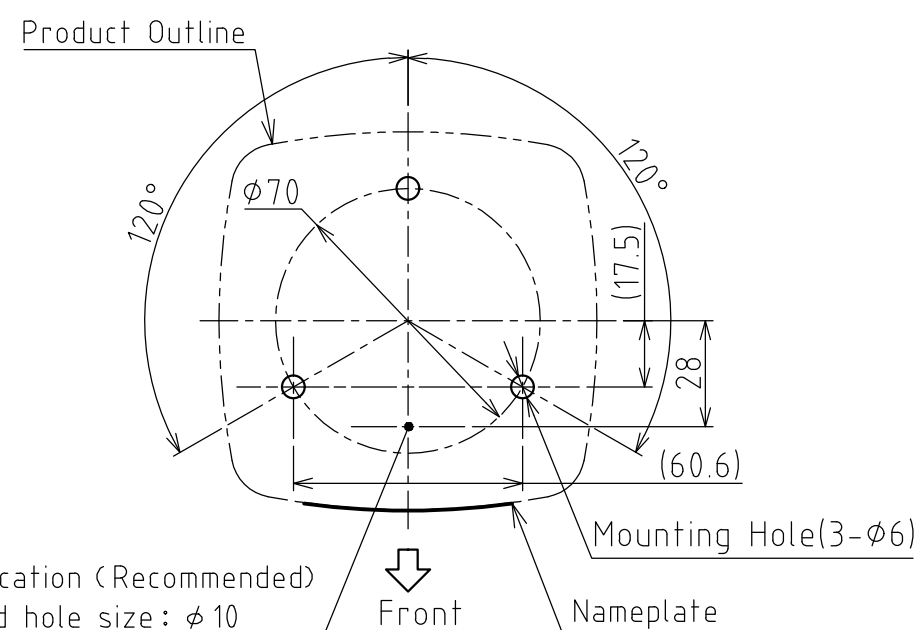
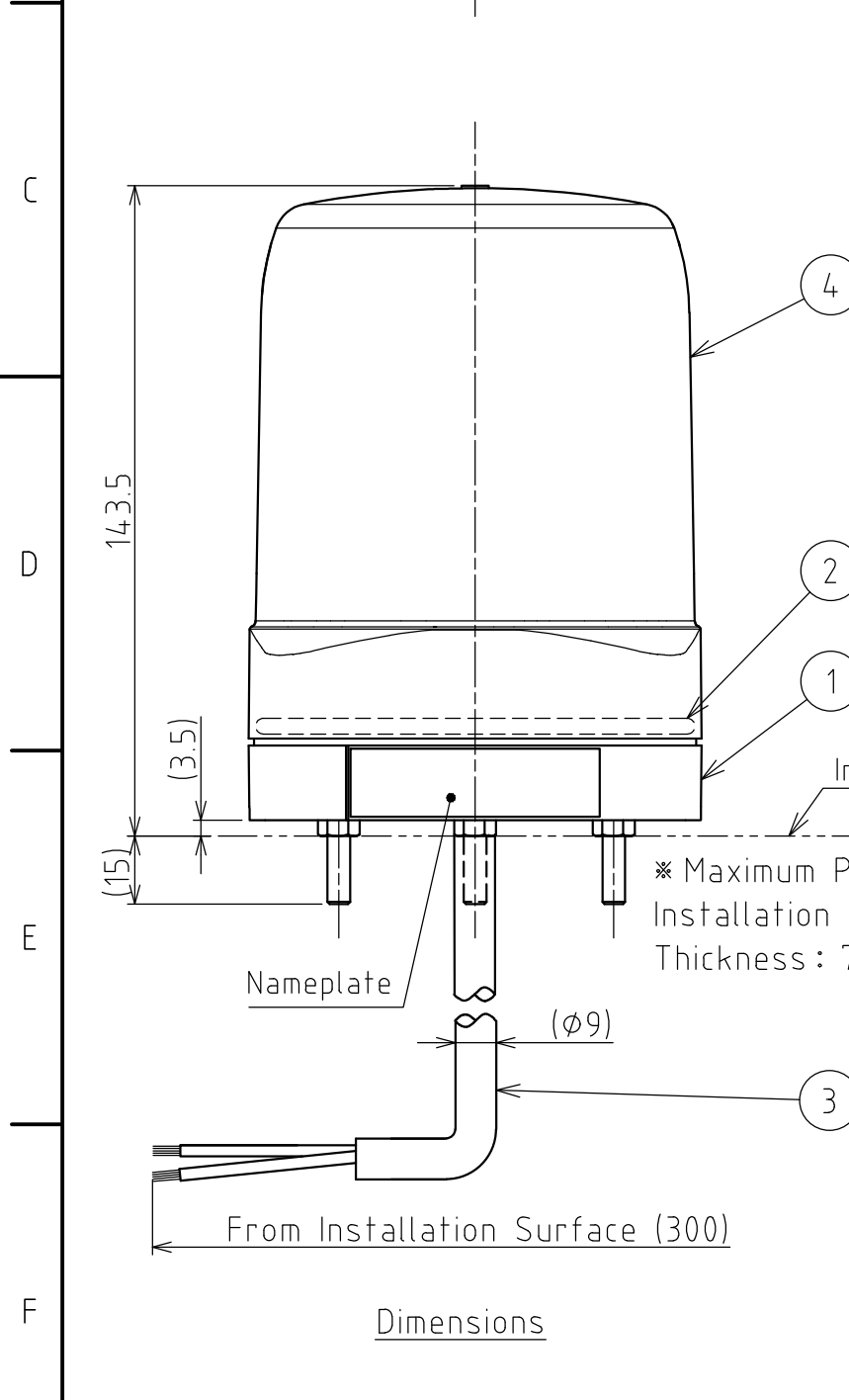
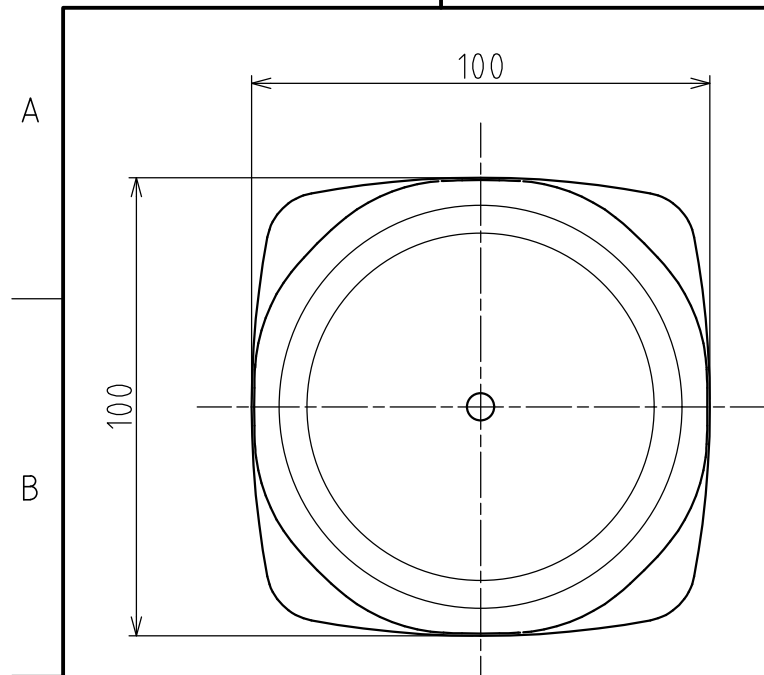
[General Specifications]

Product Name		φ 100 LED Signal Light
Model		LFH-M2
Rated Voltage		100V / 120V / 200V / 230V AC (50/60Hz)
Operating Voltage Range		90V AC ~ 250V AC
Rated Current Consumption	Typ.	0.10A (at 100V AC) 0.10A (at 120V AC) 0.06A (at 200V AC) 0.06A (at 230V AC)
	Max.	0.12A (at 100V AC) 0.12A (at 120V AC) 0.07A (at 200V AC) 0.07A (at 230V AC)
Inrush Current		Approx. 14A (Approx. 2msec)
Rated Power Consumption	Typ.	5.7W
	Max.	6.8W
Operating Ambient Temperature		-20°C ~ +60°C
Operating Ambient Humidity		Less than 90% (No condensation)
Storage Ambient Temperature		-30°C ~ +70°C
Storage Ambient Humidity		Less than 90% (No condensation)
Mounting Location		Indoors and Outdoors
Mounting Direction		Upright, Inverted and Sideways (In a wet environment, Upright only)
Protection Rating		IP 66 (IEC 60529)
Environmental Condition		Upright Mounting
Vibration Resistance		20m/s ²
Insulation Resistance		More than 4MΩ at 500V DC between live part and non-current carrying metallic part
Withstand Voltage		4000V AC applied for 1min between live part and non-current carrying metallic part without breaking insulation
Flashing Rate		110±10 Flashes Per Minute (Triple Flash Pattern)
Luminous Intensity		Red : 112cd or more / Amber : 117cd or more / Green : 240cd or more Blue : 52cd or more / White : 257cd or more
Mass (Tolerance ±10%)		610g
Outer Dimensions		Refer to the Outer Dimension Drawing
Conformity Standards		UL 1638, CAN/ULC-S526-M87 RoHS Directive (EN50581) EMC Directive (EN61000-6-4, EN61000-6-2) Low Voltage Directive (EN60598-1, EN60598-2-1, EN62031 EN61347-1, EN61347-2-13, EN62471) FCC Part15 SubpartB Class A
Remarks		UL Listed (File No.S24210) This product conforms to EN standard and shows the CE Marking. Accessories: Spring Washer (x3), Washer (x3), Nut (x3), Instruction Manual

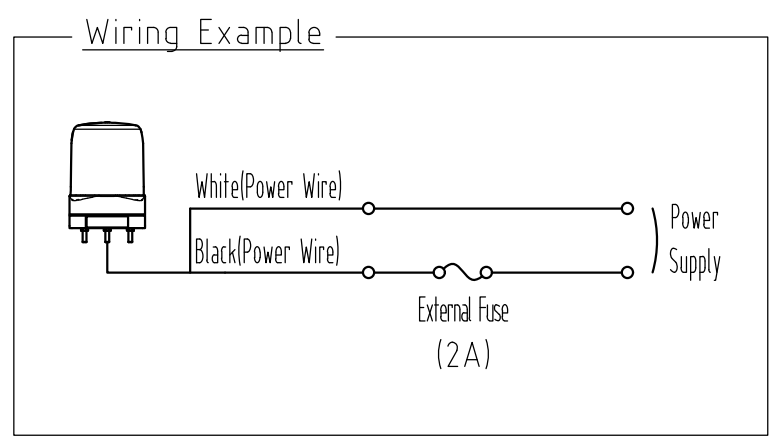
指定公差 General Tolerance	角度公差 ±[°] Angular tolerance ±[°]			寸法公差 ±[mm] Dimensional tolerance ±[mm]							
	短辺長さ Length of short side	~	~100	6	30	120	300	1000			
	精 f	1	0.5	0.3	0.1	中 m	0.1	0.3	0.5	0.7	1
	粗 v	3	1.5	1	0.5	粗 c	0.3	0.5	1	1.2	2

図番 Drawing No.	LFH-M2-W18	
改訂 Rev.	年月日 Date	改訂履歴 Revisions
	06.Jun.'18	

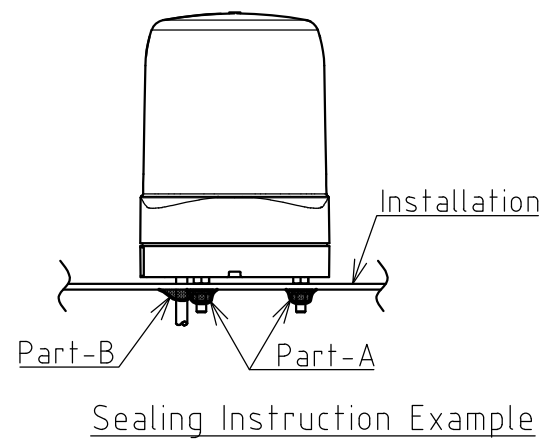
ページ Page	2 / 2
----------	-------



Installation Dimensions [1:2]



※ To mount the product in the inverted position, seal the Mounting bolts(Part-A) and Wire Exit Hole (Part-B) to insulate from water intrusion.



4	Glove	1	PC Resin, Red/Amber/Green/Blue/Clear
3	Power Supply Wire	1	STO, AWG18X2C
2	O-ring	1	Silicone, Gray
1	Body	1	ABS Resin, Chacoal gray
番号 No.	部品名 Part Name	数量 Qty.	記事 Remarks

機種 Model	LFH-M2	特注 No. S.P.No.	-	図名 Name	Outer Dimensions Drawing	
品目コード Part No.	-	尺度 Scale	-	三角法 3rd Angle P.	単位 Unit	mm
			株式会社 PATLITE Corporation		Ver.2.0	